



Manual powder duster with 2-litre capacity, outlet tube and adjustable diffuser.



Advantages

- Lightweight and easy to use.
- Large filling opening for easy filling and emptying.
- Great stability and load settlement.
- Suitable for use with products of ecological origin (diatomaceous earth).



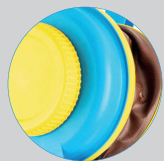
Technical information

Technical information	POLMINOR
USEFUL CAPACITY	2 L
TOTAL CAPACITY	2 L
GROSS WEIGHT	0.92 Kg
NET WEIGHT	0.70 Kg
WIDE FILLER OPENING	YES

Logistics data

Logistics data	POLMINOR
CODE	8.03.46
EAN	84.14685.30000.3
CONDITIONING	3 units
UNITS PER PALLET	60 units
DIMENSIONS PER PALLET	1200 X 800 X 1120

Functional information



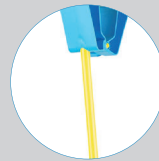
Blower fastening designed for tool-free use



Large filling opening



Ergonomic handle for simple handling



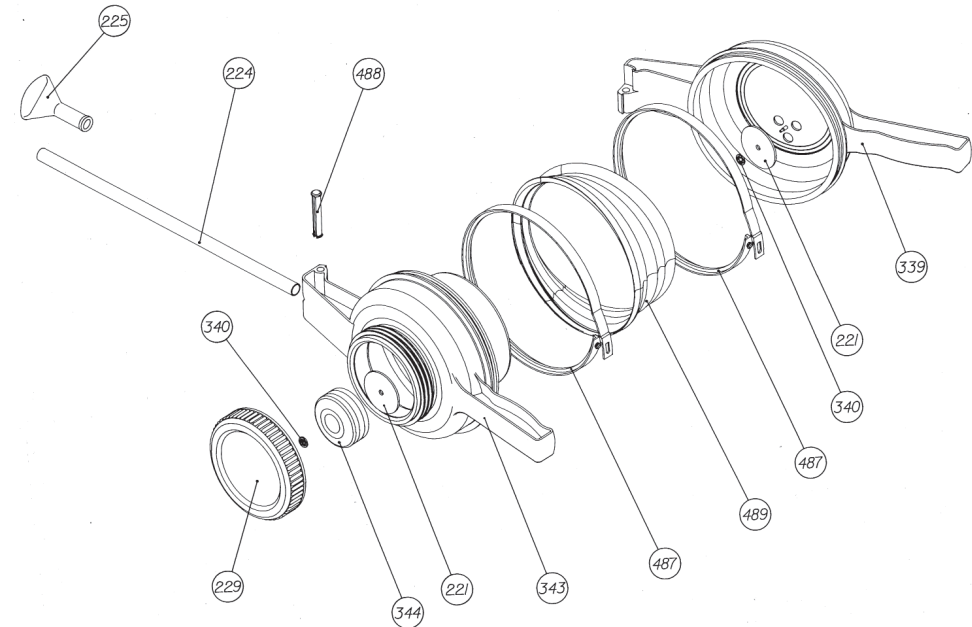
Adjustable outlet tube



Adjustable diffuser

SPARE PARTS

Extend the service life of your sprayer easily replacing parts.



N.	COD.	Q	SPARE PARTS NAME
221	8.03.06.307	2	LOCK VALVE
224	8.03.06.306	1	OUTLET PIPE
225	8.03.06.308	1	DIFFUSOR
229	8.42.20.317	1	TANK LID
339	8.03.46.302	1	BELLOWS COVER
340	2.19.99.073	2	SERRATED WASHER
343	8.03.46.301	1	TANK
344	8.03.06.303.1	1	AIR DUCT
487	8.03.46.310	2	ATTACHING FLANGE
488	8.03.46.311	1	PIN
489	8.03.46.612	1	BELLOW
	8.03.46.210	1	INSTRUCTION SHEET
	8.03.46.201	1	POLMINOR PACKAGING